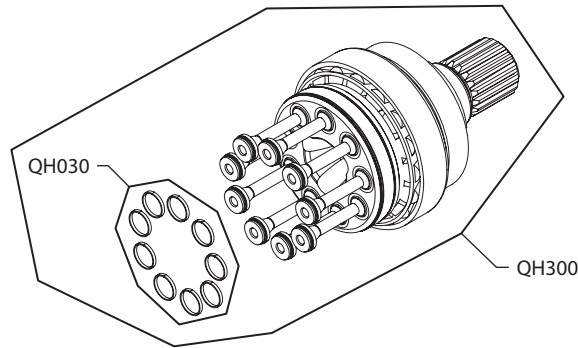


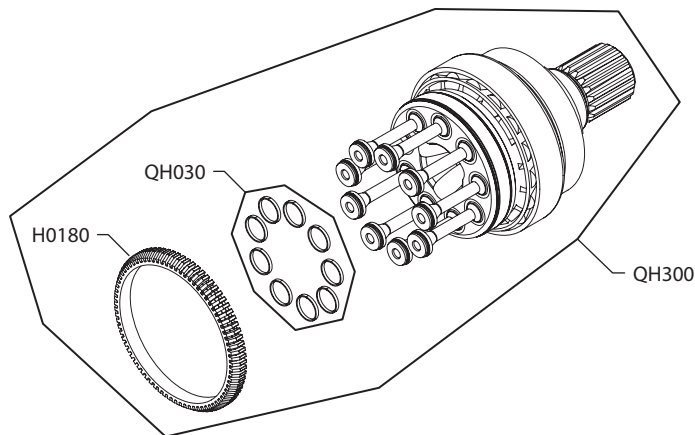


Shaft

(DN, EN, FN, KN & LN)



(DS, ES, FS, KS, LS & PS)



E103 470E

Enlarged **bold** type item numbers are recommended part to stock for servicing.


Shaft
Shaft

Order Code	Item	Date Begin	Date End	Part Number	Part Name	Qty. per Model/Kit
DN	QH030	11-18		11100638	Piston ring kit	1
	QH300	11-18		11088312	Shaft assembly, 27 tooth, 16/32 pitch	1
DS	H0180	11-18		11054505	Speed ring	1
	QH030	11-18		11100638	Piston ring kit	1
	QH300	11-18		11088315	Shaft assembly, 27 tooth, 16/32 pitch, speed ring	1
EN	QH030	11-18		11100638	Piston ring kit	1
	QH300	11-18		11054445	Shaft assembly, 13 tooth, 8/12 pitch	1
ES	H0180	11-18		11054505	Speed ring	1
	QH030	11-18		11100638	Piston ring kit	1
	QH300	11-18		11054407	Shaft assembly, 13 tooth, 8/12 pitch, speed ring	1
FN	QH030	11-18		11100638	Piston ring kit	1
	QH300	11-18		11054488	Shaft assembly, 15 tooth	1
FS	H0180	11-18		11054505	Speed ring	1
	QH030	11-18		11100638	Piston ring kit	1
	QH300	11-18		11054424	Shaft assembly, 15 tooth, speed ring	1
KN	QH030	11-18		11100638	Piston ring kit	1
	QH300	11-18		11054483	Shaft assembly, 21 tooth, DIN	1
KS	H0180	11-18		11054505	Speed ring	1
	QH030	11-18		11100638	Piston ring kit	1
	QH300	11-18		11054411	Shaft assembly, 21 tooth, DIN, speed ring	1
LN	QH030	11-18		11100638	Piston ring kit	1
	QH300	11-18		11054491	Shaft assembly, 24 tooth, DIN	1
LS	H0180	11-18		11054505	Speed ring	1
	QH030	11-18		11100638	Piston ring kit	1
	QH300	11-18		11054427	Shaft assembly, 24 tooth, DIN, speed ring	1
PS	H0180	11-18		11054505	Speed ring	1
	QH030	11-18		11100638	Piston ring kit	1
	QH300	11-18		11096984	Shaft assembly, 27 tooth, 16/32 pitch, speed ring	1