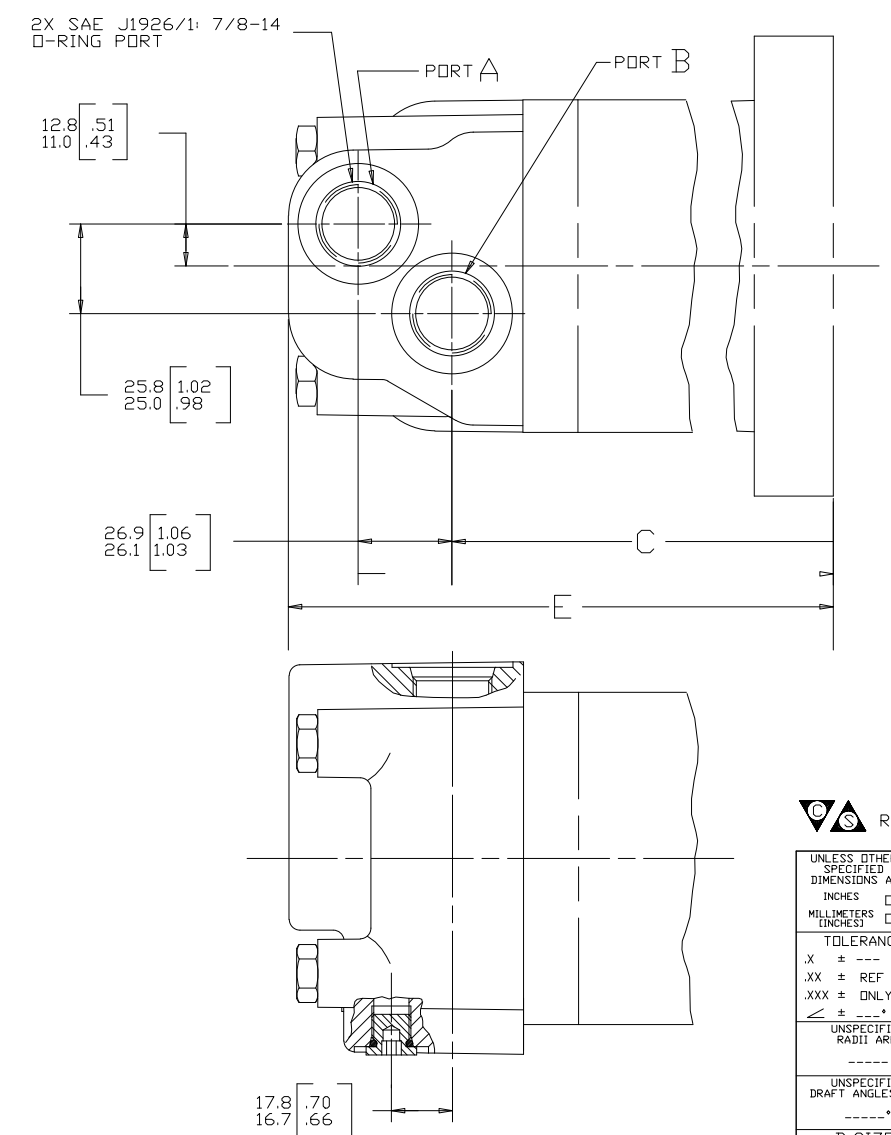
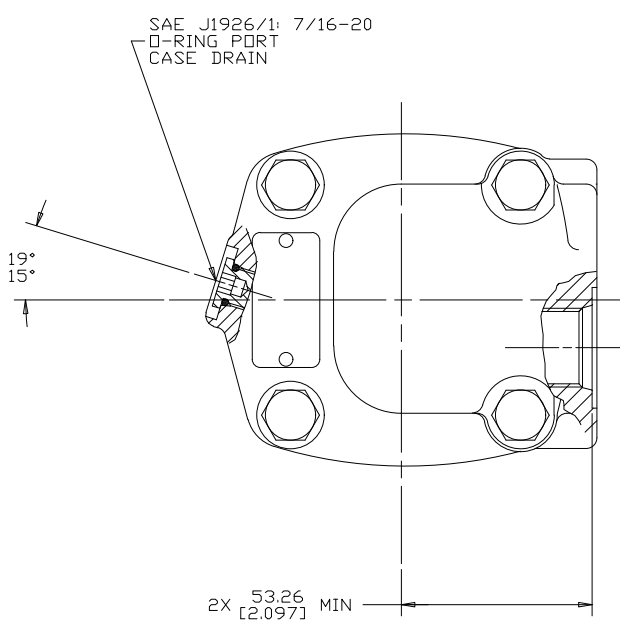


8			7			6			5			4			3			2			1		
MOUNTING TYPE AB,AM,AP,AR,AV,BB,BF,BG,BH,BP,BS,CB			MOUNTING TYPE AC,AF,AH,AN,AS,AW,AU,AY,BA,BE,BD,CC			MOUNTING TYPE AD,AE,BJ			MOUNTING TYPE AZ			MOUNTING TYPE 00			SYM			REVISION			BY DATE ECN		
DISP	C	E MAX	DISP	C	E MAX	DISP	C	E MAX	DISP	C	E MAX	DISP	C	E MAX	DISP	C	E MAX	SYM	REVISION	BY	DATE	ECN	
X021	85.8-87.3 [3.38-3.44]	133.8 [5.27]	X021	125.9-127.4 [4.96-5.02]	174.0 [6.85]	X021	67.5-69.8 [2.66-2.75]	116.3 [4.58]	X021	81.1-83.4 [3.19-3.28]	129.9 [5.12]	X021	63.7-64.7 [2.51-2.55]	111.2 [4.38]	A	ENGINEERING RELEASE	RAF	3/4/93	23726				
X025	87.4-88.4 [3.44-3.48]	135.2 [5.32]	X025	127.5-128.5 [5.02-5.06]	175.3 [6.90]	X025	69.5-70.5 [2.74-2.78]	117.6 [4.63]	X025	83.2-84.2 [3.28-3.32]	131.3 [5.17]	X025	65.0-66.1 [2.56-2.60]	112.5 [4.43]	K	ADDED DISP CODE 'AS' TO ALL TABLES	SMM	04-05-01	M25236				
X040	93.1-94.2 [3.67-3.71]	140.9 [5.55]	040	133.3-134.3 [5.25-5.29]	181.0 [7.13]	X040	75.2-76.3 [2.96-3.00]	123.4 [4.86]	X040	89.0-90.0 [3.50-3.54]	137.1 [5.40]	X040	70.8-71.8 [2.79-2.83]	118.3 [4.66]	L	ADDED MOUNTING TYPE 8 TO TAB	AGJ	2-9-03	M29970				
049	96.2-97.4 [3.79-3.83]	144.1 [5.67]	049	136.4-137.5 [5.37-5.41]	184.2 [7.25]	049	78.0-79.8 [3.07-3.14]	126.6 [4.98]	049	91.4-93.7 [3.60-3.69]	140.2 [5.52]	049	73.5-75.4 [2.89-2.97]	121.5 [4.78]	M	-1>REVISED MOUNTING TAB CODES -2>NOTE 1 WAS PORT OPTION: A,E DR L -2>ADDED NOTE 2	AGJ	5-13-02	41044				
055	98.6-99.7 [3.88-3.92]	146.4 [5.76]	055	138.7-139.8 [5.46-5.50]	186.5 [7.34]	055	80.3-82.1 [3.16-3.23]	128.9 [5.07]	055	93.7-96.0 [3.69-3.78]	142.5 [5.61]	055	75.8-77.7 [2.98-3.06]	123.8 [4.87]	P	REVISED MOUNTING TYPE 'AG' VALUES	MGF	7-15-02	41686				
062	100.9-102.2 [4.02-4.06]	148.7 [5.86]	062	141.0-142.1 [5.55-5.61]	188.9 [7.44]	062	82.6-84.5 [3.25-3.33]	131.2 [5.17]	062	96.0-98.3 [3.78-3.87]	144.8 [5.70]	062	78.1-80.1 [3.08-3.15]	126.1 [4.97]	R	ADDED MOUNTING TYPE 'BH' TO TAB	AGJ	2-25-03	M30115				
080	107.3-108.4 [4.23-4.27]	155.2 [6.11]	080	147.4-148.6 [5.81-5.85]	195.3 [7.69]	080	89.0-90.9 [3.51-3.58]	137.6 [5.42]	080	102.4-104.7 [4.03-4.12]	151.3 [5.96]	080	84.5-86.5 [3.33-3.41]	132.6 [5.22]	S	REVISED TABULATION BLOCKS	AGJ	5-17-04	47918				
096	107.3-108.4 [4.23-4.27]	155.2 [6.11]	096	147.4-148.6 [5.81-5.85]	195.3 [7.69]	096	89.0-90.9 [3.51-3.58]	137.6 [5.42]	096	102.4-104.7 [4.03-4.12]	151.3 [5.96]	096	84.5-86.5 [3.33-3.41]	132.6 [5.22]	T	(5D)ADDED 88.9-91.2[3.50-3.59] TO DISP CODE 10 MOUNTING TYPE AD,AE,BJ	AGJ	12-2-04	49591				
119	114.0-115.2 [4.49-4.53]	161.9 [6.37]	119	154.2-155.3 [6.07-6.11]	202.0 [7.95]	119	95.8-97.6 [3.77-3.84]	144.4 [5.68]	119	109.2-111.5 [4.30-4.39]	158.0 [6.22]	119	91.3-93.2 [3.59-3.67]	139.3 [5.48]	AA	-1>(8B)ADDED MOUNTING TYPE 'AZ' TO TAB -2>(6C)17*±2* WAS 17*±1* -3>(8C) TAB C FDR DISP 240 WAS 150.4-151.5 [5.92-5.98]	CSG	08-07-09	M76614				
149	123.1-124.2 [4.85-4.89]	170.9 [6.73]	149	163.2-164.3 [6.43-6.47]	211.1 [8.31]	149	104.8-106.7 [4.13-4.20]	153.4 [6.04]	149	118.2-120.5 [4.65-4.74]	167.0 [6.58]	149	100.3-102.3 [3.95-4.03]	148.3 [5.84]	AB	(7D) ADDED MOUNTING TYPE 'BS' TO TAB (6C) 19°/15° WAS 17°±2°	CSG SKS	02-02-10	M78271				
187	134.5-135.6 [5.29-5.34]	182.3 [7.18]	187	174.6-175.7 [6.87-6.92]	222.5 [8.76]	187	116.2-118.1 [4.57-4.65]	164.8 [6.49]	187	129.6-131.9 [5.10-5.19]	178.4 [7.02]	187	111.7-113.7 [4.40-4.48]	159.7 [6.29]	AC	-1>(7C) ADDED MOUNTING TYPE 'BU' TO TAB -2>DRAWING UPDATED AS PER ASME Y14.5M-1994 STANDARD	YIS SMT	07-09-12	M86188				
240	150.4-151.5 [5.92-5.96]	198.2 [7.81]	240	190.5-191.6 [7.50-7.55]	238.4 [9.39]	240	132.1-134.0 [5.20-5.28]	180.7 [7.12]	240	145.5-147.8 [5.73-5.82]	194.3 [7.65]	240	127.6-129.6 [5.02-5.10]	175.6 [6.92]	AD	-1>(7B) ADDED MOUNTING TYPE '00' TO TAB -2>(6C) SAE J1926/1: 7/16-20 WAS 7/16-20 UNF-2B -3>(3C) SAE J1926/1: 7/8-14 WAS 7/8-14 UNF-2B	YUP AAB	10-18-13	M90817				
298	167.8-168.9 [6.61-6.65]	215.6 [8.49]	298	207.9-209.0 [8.19-8.23]	255.8 [10.07]	298	149.5-151.4 [5.89-5.96]	198.1 [7.80]	298	162.9-165.2 [6.41-6.50]	211.7 [8.34]	298	145.3-146.7 [5.71-5.79]	193.0 [7.60]	AE	ADDED TAB X025 AND X041	VBH HRK	08-19-14	M93117_1				
MOUNTING TYPE AG			MOUNTING TYPE AJ,BC,BU																				
DISP	C	E MAX	DISP	C	E MAX																		
X021	114.0-115.5 [4.49-4.55]	162.0 [6.38]	X021	129.5-131.5 [5.10-5.18]	178.0 [7.01]																		
X025	115.6-116.6 [4.55-4.59]	163.3 [6.43]	X025	131.3-132.4 [5.17-5.21]	179.3 [7.06]																		
X040	121.3-122.4 [4.78-4.82]	169.1 [6.66]	X040	137.1-138.1 [5.40-5.44]	185.1 [7.29]																		
049	124.4-125.7 [4.90-4.94]	172.3 [6.78]	049	139.9-141.6 [5.51-5.57]	188.3 [7.41]																		
055	126.7-127.9 [4.99-5.03]	174.6 [6.87]	055	142.2-143.9 [5.60-5.66]	190.6 [7.50]																		
062	129.1-130.2 [5.08-5.13]	176.9 [6.97]	062	144.6-146.2 [5.69-5.76]	192.9 [7.60]																		
080	135.5-136.6 [5.34-5.38]	183.4 [7.22]	080	151.0-152.6 [5.95-6.01]	199.4 [7.85]																		
096	135.5-136.6 [5.34-5.38]	183.4 [7.22]	096	151.0-152.6 [5.95-6.01]	199.4 [7.85]																		
119	142.2-143.4 [5.60-5.64]	190.1 [7.48]	119	157.7-159.4 [6.21-6.27]	206.1 [8.11]																		
149	151.3-152.4 [5.96-6.00]	199.1 [7.84]	149	166.8-168.4 [6.57-6.63]	215.1 [8.47]																		
187	162.7-163.8 [6.40-6.45]	210.5 [8.29]	187	178.2-179.8 [7.01-7.08]	226.5 [8.92]																		
240	178.6-179.7 [7.03-7.08]	226.4 [8.92]	240	194.1-195.7 [7.64-7.71]	242.4 [9.55]																		
298	196.0-197.1 [7.72-7.76]	243.8 [9.60]	298	211.5-213.1 [8.33-8.39]	259.8 [10.23]																		



NOTE
 1 PORT OPTION AA OR AP
 2 CASE FLOW OPTION: 00, 01 OR 04

REVIEWED FOR CLASSIFICATION PER ESP-042

DRAWING BASED ON ASME Y14.5M-1994

UNLESS OTHERWISE SPECIFIED ALL DIMENSIONS ARE IN INCHES

TOLERANCES

.X ±	---
.XX ±	REF
.XXX ±	ONLY
±	---
UNSPECIFIED RADII ARE:	---
UNSPECIFIED DRAFT ANGLES ARE:	---

THIRD ANGLE PROJECTION

D SIZE

DD NOT SCALE

ARTHEMETICAL AVERAGE

EATON

POWERING BUSINESS VISION

2000 SERIES MOTOR PORT INSTALLATION

NUMBER A-673-001

SCALE 1/1 SHEET 1 OF 1