

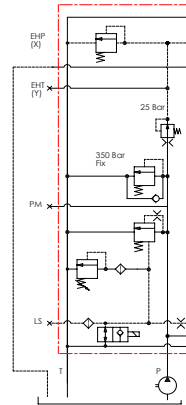
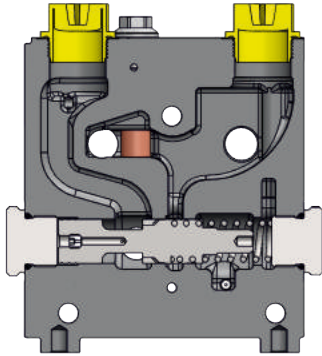
## INLET SECTION CONFIGURATIONS

All SPV120 inlet section configurations include, P and T connections, PM pressure gage port for measuring the pump and load signal pressures, pressure reducing valve, adjustable main relief valve, non-adjustable secondary relief valve set to 350 bar for safety purpose. Unloading cavity is prearranged and plugged for unloading valve.

Unloading valve is not included in the inlet configurations, please see «Unloading Valves» for details.

Inlet can be easily switched from fixed to variable pump configuration by changing compensator spool and spring with dummy spool.

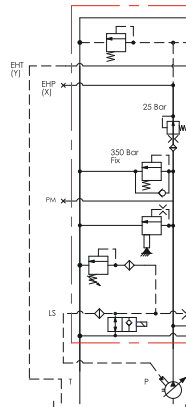
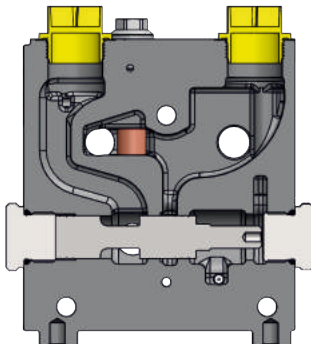
### Inlet Section For Systems With Fixed Displacement Pump



#### Weight

5,80kgs / 12,80lbs

### Inlet Section For Systems With Variable Displacement Pump



#### Weight

5,80kgs / 12,80lbs

ORDER CODE	DESCRIPTION
120POHN1600	G 3/4 INLET FOR FIXED PUMP
120POHN1640	SAE 12 INLET FOR FIXED PUMP
120PCHN1700	G 3/4 INLET FOR VARIABLE PUMP
120PCHN1740	SAE 12 INLET FOR VARIABLE PUMP
120MPOHN1600	MARINE TYPE; G 3/4 INLET FOR FIXED PUMP
120MPOHN1640	MARINE TYPE; SAE 12 INLET FOR FIXED PUMP
120MPCHN1700	MARINE TYPE; G 3/4 INLET FOR VARIABLE PUMP
120MPCHN1740	MARINE TYPE; SAE 12 INLET FOR VARIABLE PUMP

ORDER CODE	INLET CONVERSION KITS
15010417000	CONVERSION KIT FROM VARIABLE TO FIXED DISPLACEMENT
1010322000	CONVERSION KIT FROM FIXED TO VARIABLE DISPLACEMENT