

WA series
12 to 180 cc



The W/WA pumps were developed to satisfy the needs of both the industrial hydraulics market : Hydraulic power packs, units for machine tools etc.; and of the mobile market: construction equipment, drilling machines, mobile cranes etc...

The WA series (SAE version) are an addition to the W pumps range (ISO version) which exist in models from 5 to 125 cc.

► Advantages

- High speed (from 150 up to 3000 tr/min depending on the displacement)
- Maximum pressure up to 5800 psi (400 bar) continuous - 6525 psi (450 bar) peak - while maintaining a high global efficiency at low noise level
- Self-priming and self-suction pumps
- Range of displacements of 0.73 to 11.02 cu.in (12 to 180 cc)
- FKM seals as standard (NBR on request)

► Characteristics and performances

Pump model	Displacement	continuous rotation speed (1)	Max. pressure continuous/peak (2)	Theoretical torque at 5100 psi (350 bar)	Max. flow	Weight
	cu.in (cm ³)	(rpm)	psi (bar)	lbf ft (m.N)	gpm (l/min)	lbs (Kg)
WA12	0.73 (12)	3150	5800 / 6525 (400 / 450)	42 (67)	10 (37.80)	14.3 (6.5)
WA18	1.10 (18)	3150	5800 / 6525 (400 / 450)	74 (100)	15 (56.70)	14.3 (6.5)
WA25	1.52 (24.9)	2500	5800 / 6525 (400 / 450)	102 (139)	16.44 (62.25)	25 (11.5)
WA32	1.96 (32.1)	2500	5800 / 6525 (400 / 450)	132 (179)	21.20 (80.25)	25 (11.5)
WA41	2.51 (41.1)	2250	5800 / 6525 (400 / 450)	169 (229)	24.41 (92.40)	25 (11.5)
WA45	2.77 (45.4)	2300	5800 / 6525 (400 / 450)	187 (253)	27.60 (104.4)	40 (18)
WA50	3.07 (50.3)	2300	5800 / 6525 (400 / 450)	207 (280)	30.60 (115.7)	40 (18)
WA63	3.74 (63)	2250	5800 / 6525 (400 / 450)	259 (351)	30.56 (145)	40 (18)
WA80	4.91 (80.4)	2300	5800 / 6525 (400 / 450)	330 (448)	48.87 (185)	51 (23)
WA90	5.49 (90)	2100	5800 / 6525 (400 / 450)	370 (501)	49.93 (189)	51 (23)
WA108 R	6.61 (108.3)	2150	5800 / 6525 (400 / 450)	445 (603)	61.55 (233)	77 (35)
WA125	7.65 (125.4)	2100	5800 / 6525 (400 / 450)	515 (699)	69.78 (263)	77 (35)
WA160	9.76 (160)	1850	5800 / 6525 (400 / 450)	657 (891)	78.20 (296)	103.6 (47)
WA180	11.02 (180.6)	1750	5800 / 6525 (400 / 450)	742 (1006)	83.78 (316)	103.6 (47)

(1) At absolute pressure 14.5 psi (1 bar), ISO V646 fluid at 77°F (25°C).

(2) Intermittent 5%.

► Order code system

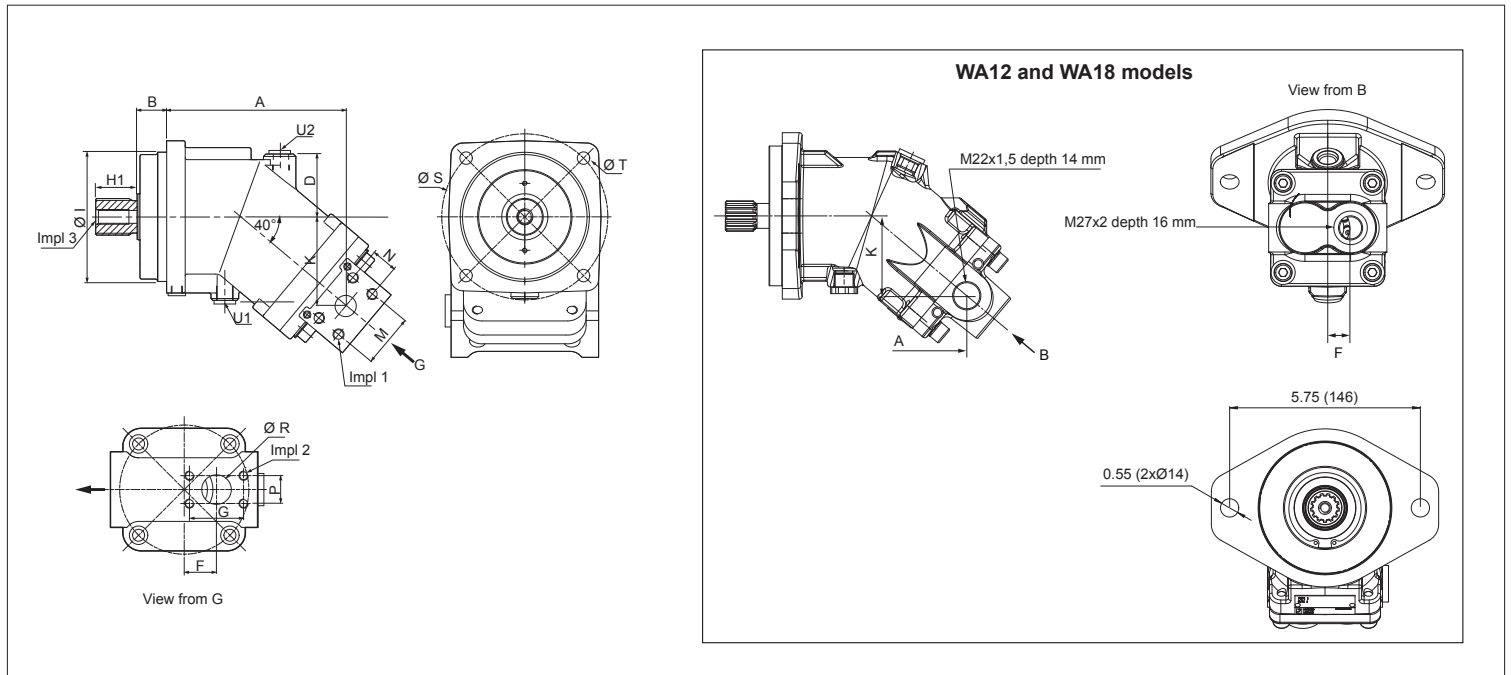
WA	...	C	S1	R	U2	..	F
01	02	03	04	05	06	07	08

To obtain the code for your motor, complete the different parameters 02 and 07 according to the options you require.

SH / CW : for clockwise
SIH / CCW : for counterclockwise

Choice of the displacement :
12 - 18 - 25 - 32 - 41 - 45 - 50 - 63 - 80 - 90 - 108R - 125 - 160 - 180.

► Dimensions in inches (mm)



Pump	A	B	D	F	G	I	K	M	N	P	R	S	T
WA12 WA18	5.28 (134.1)	0.31 (7.9)	1.65 (41.9)	0.67 (17)	-	4 (101.6)	2.28 (58)	-	-	-	-	SAE - B 2 bolts	0.55 (14)
WA25	6.21 (157.8)		2.20 (56)	0.87 (22)	1.87 (47.6)	5 (127)	2.67 (66)	1.59 (40.5)	0.72 (18.2)	0.87 (22.2)	0.75 (19)	6.38 (162)	0.57 (14.3)
WA32 WA41	6.46 (164)						2.80 (71)						
WA45 to WA63	7.45 (189.2)		3.35 (85)	2 (50.8)	0.94 (23.8)		1.03 (26.2)	0.98 (25)					
WA80 WA90	8.47 (215.2)		2.68 (68)	1.38 (35)	2.31 (58.7)	3.82 (97)	2.25 (57.2)	1.09 (27.8)	1.19 (30.2)	1.26 (32)	9 (228.6)	0.83 (21)	
WA108 R WA125	9.25 (235)		3.35 (85)										2.75 (69.9)
WA160 WA180	10.54 (267.7)		2.68 (68)	1.95 (49.5)	3.06 (77.8)	4.16 (105.7)	2.63 (66.7)	1.25 (31.8)	1.69 (42.9)	2.01 (51)			

Pump	Splined shaft	H1	Outlet 6000 PSI	Inlet 3000 PSI	Impl 1	Impl 2	Impl 3	U1 / U2	
WA12 WA18	13T-16/32 dp SAE B	1.32 (33.3)	M22x1.5	M27x2	-	-	5/16"-18 UNC	9/16"-18 UNF	
WA25 WA32 WA41			SAE 1/2"	SAE 3/4"	M8x1.25 depth 15				
WA45 WA50 WA63 WA80 WA90		14T-12/24 dp SAE C	1.89 (48)	SAE 3/4"	SAE 1"	M10x1.5 depth 17	M10x1.5 prof 17	7/16"-14 UNC	3/4"-16 UNF
WA108 R WA125 WA160 WA180				SAE 1"	SAE 1 1/4"	M12x1.75 depth 20			
WA108 R WA125 WA160 WA180	13T-8/16 dp SAE D	2.64 (67)	SAE 1" 1/4	SAE 2"	1/2"-13 UNC	1/2"-13 UNC	5/8"-11 UNC	7/8"-14UNF	

For further information, please to contact our Technical Department.

Hervé COLIN - Tel. +33(0)3 83 76 05 37 - hcolin@hydroleduc.com



www.hydroleduc.com



HYDRO LEDUC SAS
Siège social & Usine
Head Office and Factory
BP 9
F-54122 AZERAILLES
FRANCE
Tel. +33 (0)3 83 76 77 40
Fax +33 (0)3 83 75 21 58

HYDRO LEDUC GmbH
Am Ziegelplatz 20
D-77746 SCHUTTERWALD
DEUTSCHLAND
Tel. +49 (0) 781-9482590
Fax + 49 (0) 781-9482592

HYDRO LEDUC AB
Betongvägen 11
461 38 TROLLHÄTTEN
SWEDEN
Tel. + 46 (0) 520 10 820

HYDRO LEDUC BV
Ericssonstraat 2
5121 ML Rijen
The Netherlands
Tel. +31 6 202 40 651

HYDRO LEDUC N.A. Inc.
Grand Parkway Industrial Park
23549 Clay Road
KATY, TX 77493
USA
Tel. +1 281 679 9654
Fax +1 832 321 3553