

P40 Series

Monoblock directional control valves

Description

- ◆ Inner check valve: The check valve inside the valve body is to insure the hydraulic oil not to be returned
- ◆ Inner relief valve: The relief valve inside the valve body is able to adjust the hydraulic system working pressure
- ◆ Oil way: Parallel circuit, power beyond option
- ◆ Control Way: Manual control, pneumatic control, hydraulic and electric control for optional.
- ◆ Valve construction: monoblock construction, 1-7 levers.
- ◆ Option: Hydraulic lock is available to be added on A and B port.
- ◆ Available with manual, pneumatic control, electric and pneumatic control, hydraulic and electric control and etc.

Parameters

(MPa) Nom. Pressure	(MPa) Max. Pressure	(L/min) Nom. Flow rate	(L/min) Max. Flow rate	(MPa) Back Pressure	hydraulic oil		
					(°C) Tem.rang	(mm ² /S) Visc.rang	(μm) filtrating accuracy
20	31.5	40	40	≤1	-20 ~ +80	10 ~ 400	≤10



Model code

0 2 P40 A 1 A 1 G KZ1 C2 11

 block with common check valve

 number of spools

 directional control valve type ...

 first spool distribution type

 spool control/detend and estr./

 second spool distribution type

 spool control/detend and estr./

 ports /threads/

 general operation feature

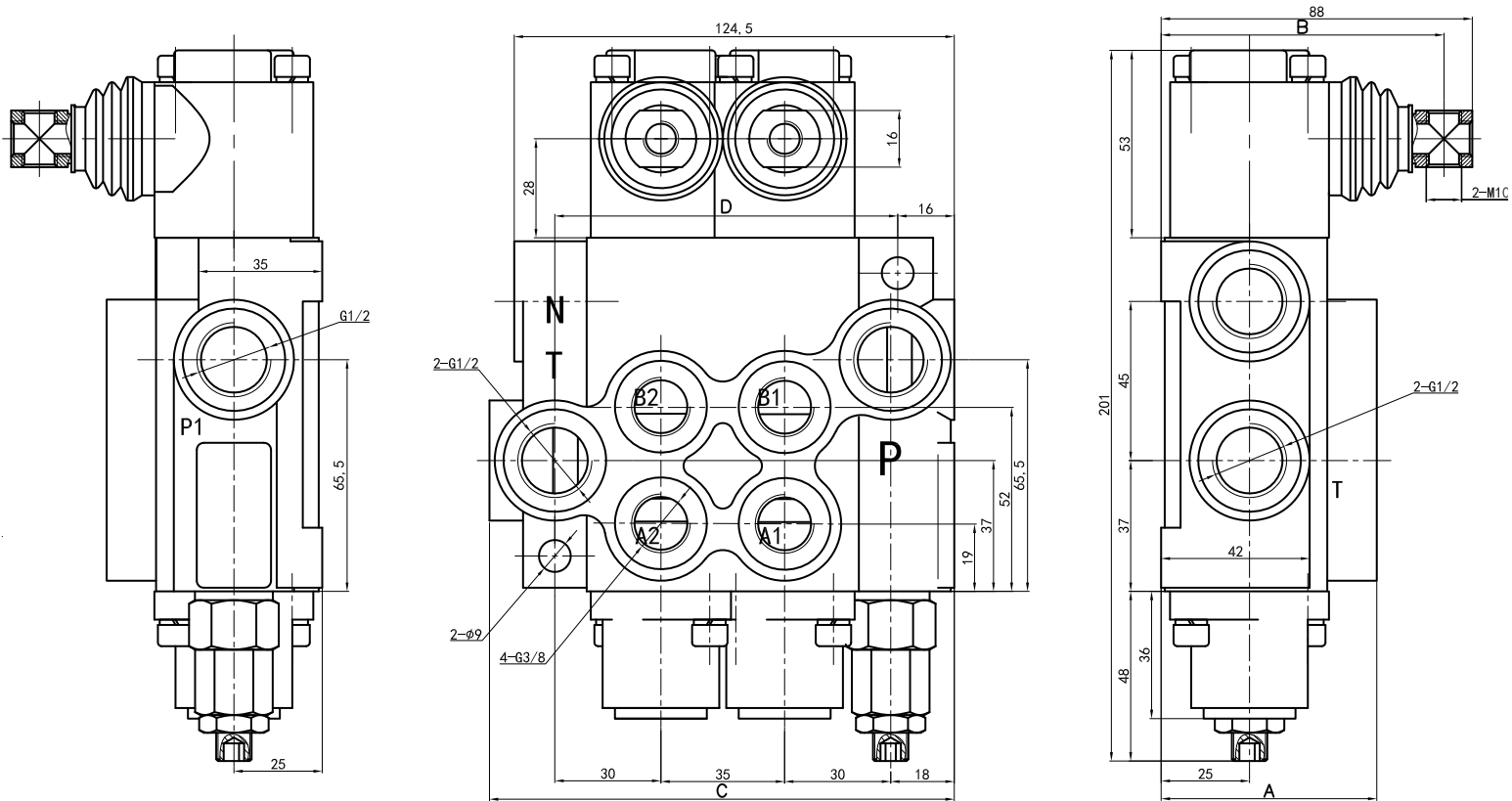
 high pressure carry over

 connection ports in use

P40 Series

Monoblock directional control valves

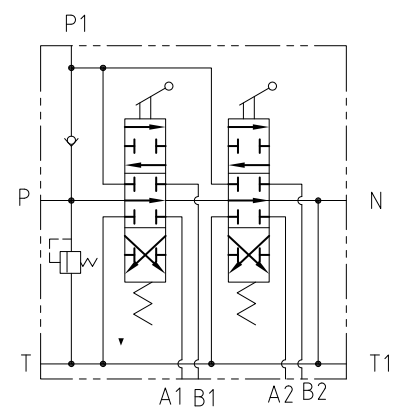
Technical drawings



Dimensions

	A	B	C	D	P1	P2	T1	T2
P40	61	80	89,5	60	+	-	+	-
02P40	61	80	131,5	97	+	+	+	+
03P40	61	80	166,5	132	+	+	+	+
04P40	61	80	201,5	167	+	+	+	+
05P40	61	80	236,5	202	+	+	+	+
06P40	61	80	271,5	237	+	+	+	+
07P40	61	80						

Hydraulic scheme



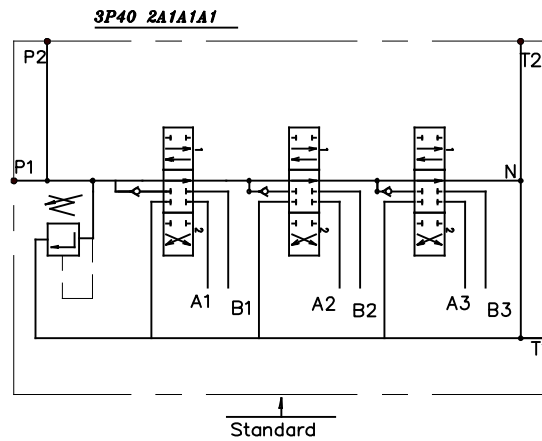
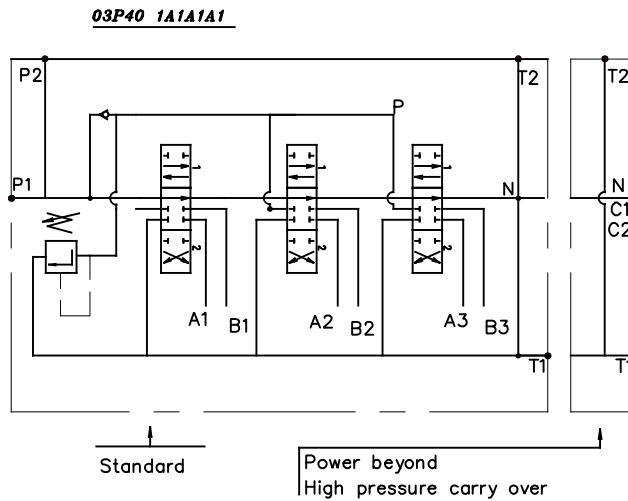
P40 Series

Monoblock directional control valves

Spool type

A	
B	
C	
D	
E	
F	
G	
H	
M	
N	
O	
P	
Q	
R	
S	
T	
** L	

** only for right hand configuration



Spool controls

1		
2		
3		
4		
5		
6		
7		
8		
9		
10		
11		
** 12		
** 13		

** only for right hand configuration

Port threads

	P	A ; B	T	N
M	M22x1.5	M18x1.5	M22x1.5	M22x1.5
G	G1/2	G3/8	G1/2	G1/2
G1/2	G1/2	G1/2 on request	G1/2	G1/2
S	7/8-14UNF	3/4-16UNF	7/8-14UNF	7/8-14UNF

Carry over plug

C	closed center	
C1	part for power beyond sleeve(carry over)	Ø14 mm M22x1.5
C2	part for power beyond sleeve(carry over)	G 1/2 M22x1.5
-	without part for pressure carry over	

Connection ports in use

11	P1 ; T1
12	P1 ; T2
21	P2 ; T1
22	P2 ; T2

Hand control type

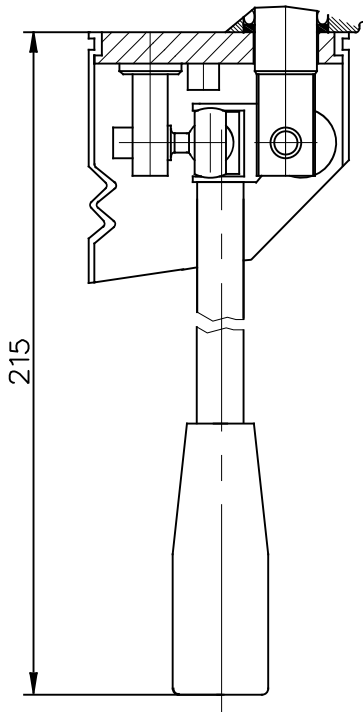
KZ	
KZ1	
KZ0	
KZ01	
-	without hand control

P40 Series

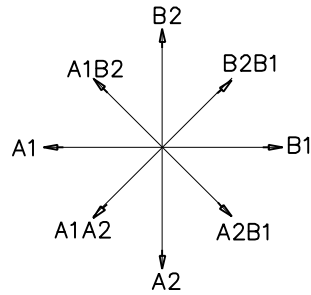
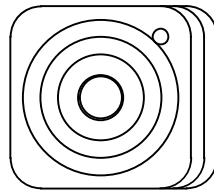
Monoblock directional control valves

Joystick "+"

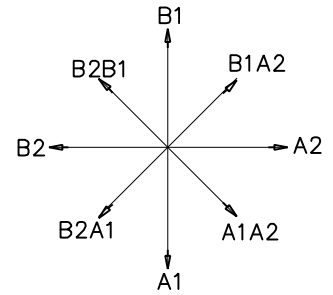
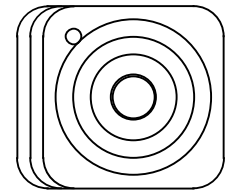
This control gives the possibility to operate, at the same time two spools with a "+" movement.



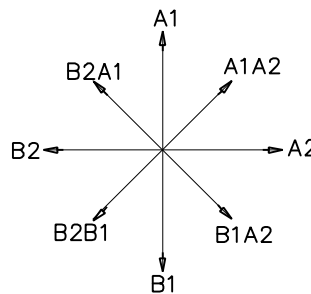
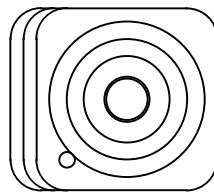
standard version 1



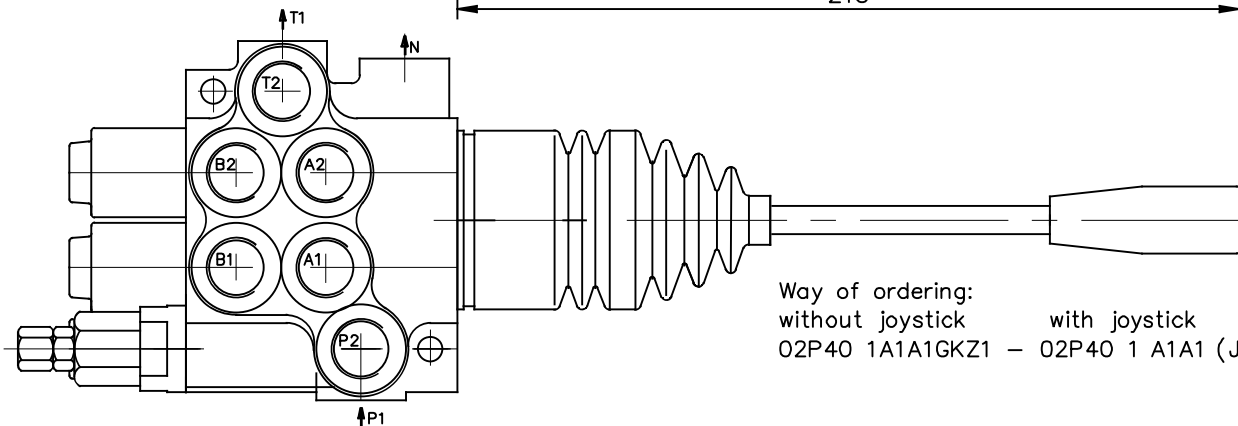
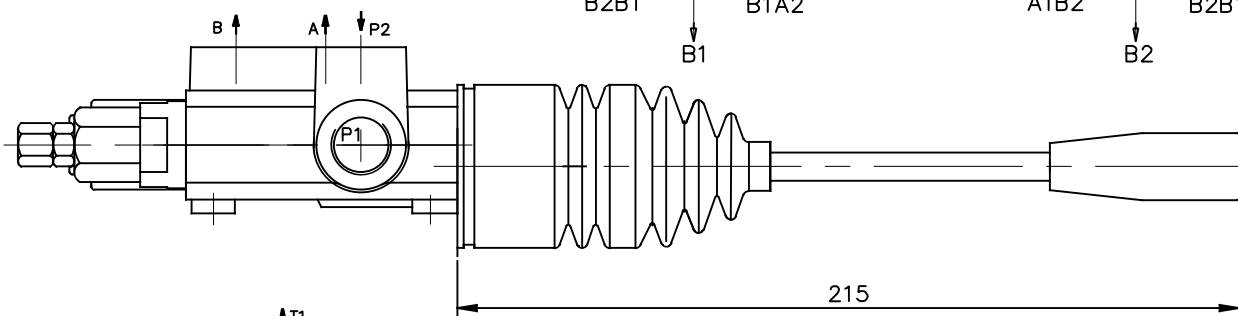
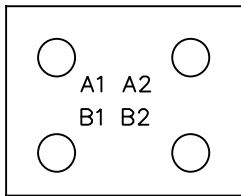
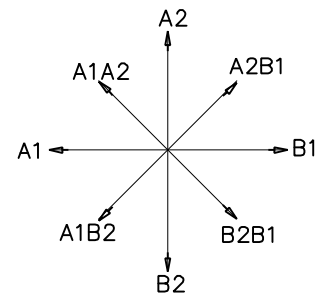
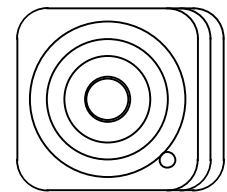
standard version 2



standard version 3



standard version 4



Way of ordering:
 without joystick with joystick
 02P40 1A1A1GKZ1 - 02P40 1 A1A1 (JOY) G