

SCANIA GR 875, GR 905, GRS 895, GRS 905, GRSO 905

New Product: Make possible the mounting of a rear PTO on your vehicle not equipped with this possibility!!

Max. Torque	Continuous	Intermittent
	500 Nm	700
Power (at 1000 r.p.m.)		52 kW (70 HP)
Rotation		Engine

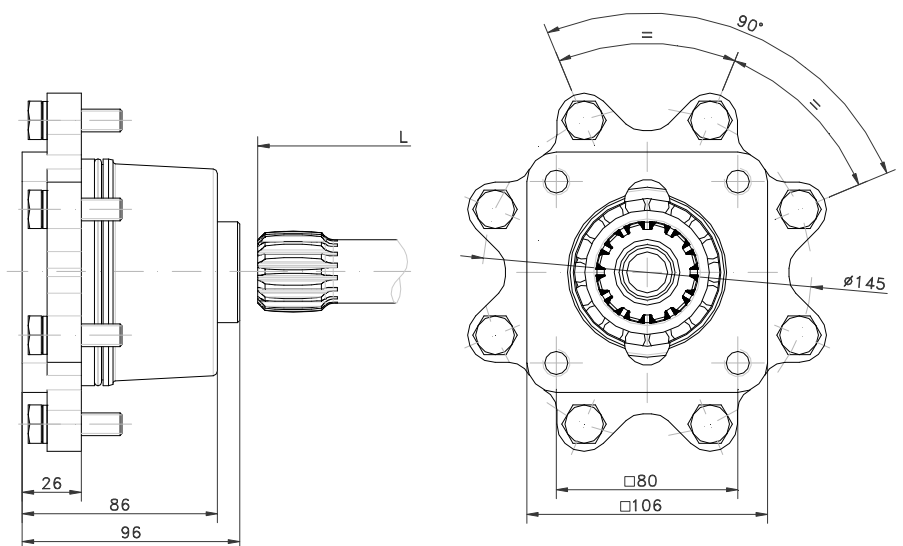


① + ② Full Kit

P/N.	131106	131206	131306
Applicable Transmissions	GR 875, GRS 895,	GR 905 GRS 905	GRSO 905

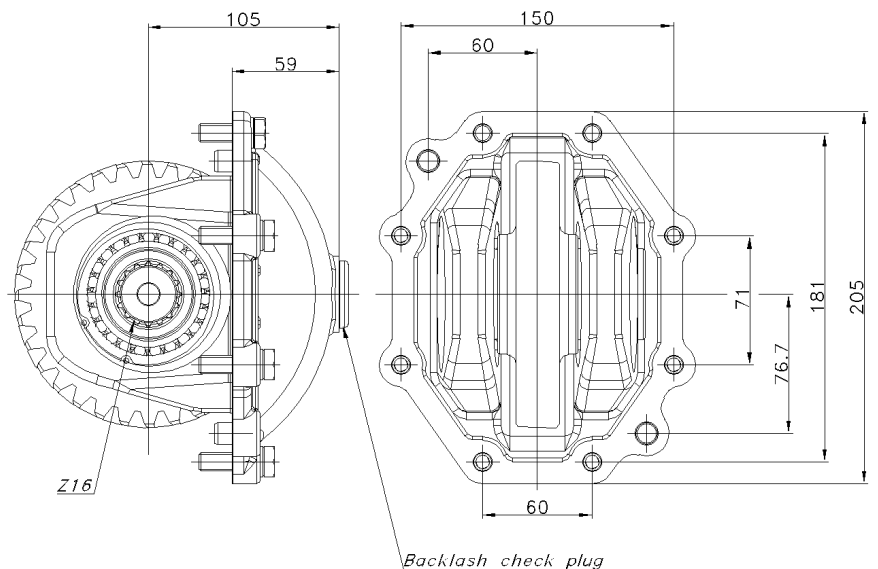
① Rear kit + Shaft

Shaft Length	525 mm	619 mm
P/N.	130706	130806
Applicable Transmissions	GR 875, GRS895	GR 905, GRS905, GRSO905



② Side kit

P/N.	130906	131006
Applicable Transmissions	GR 875, GR 905, GRS895	GRS905, GRSO905



Note: Consult our rear mounting PTO's with different internal ratio.