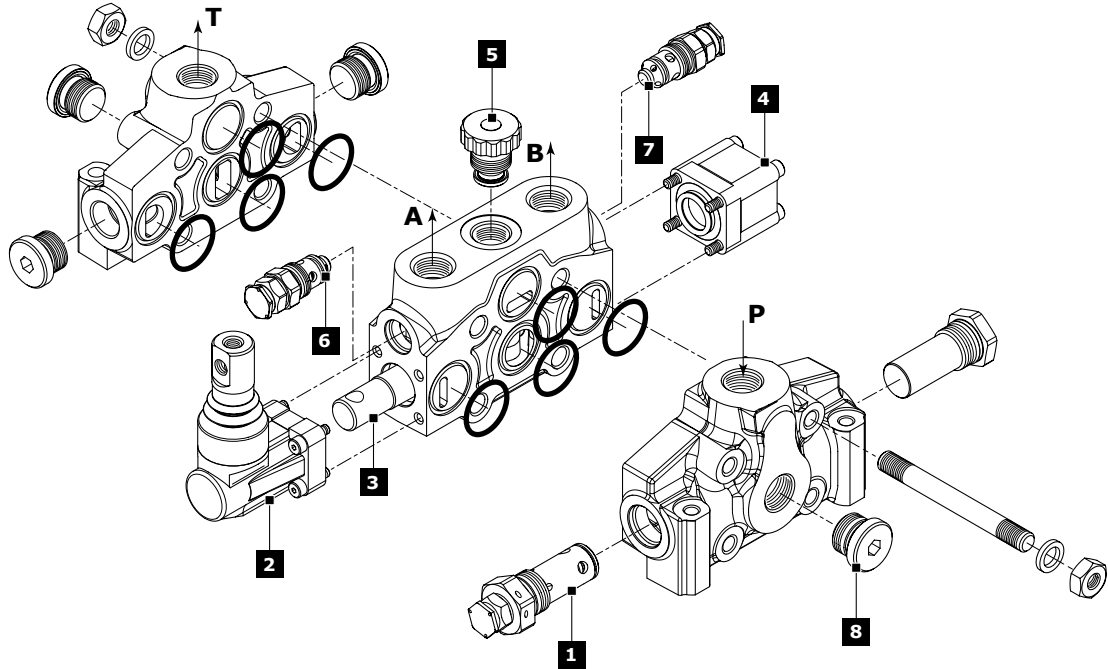




D4 SPARE PARTS LIST



Ref.	Description	Order code	Q.ty	Code	Note
1	LS Direct acting pressure relief valve (*)	81451	1	-	Setting: 100 bar
		2723			Setting: 200 bar
		5371			Setting: 300 bar
	Pilot operated pressure relief valve (*)	48734	1	-	Setting: 100 bar
		4480			Setting: 200 bar
		7383			Setting: 300 bar
	Relief valve plugged	430104001	1		
	Main Anticavitation check valve	915050401	1		
External piloted valve	915040405	1			
Solenoid dump valve (12 vdc (**))	915040402	1			
Solenoid dump valve (24 vdc (**))	915040403	1			
Hydraulic lock or brake valve	915000401	1			
Plug with pressure-gauge connection	430104002	1			
2	3 positions double-acting spool	421204023	1	W001A	for protected lever
		421204123		W001B	for protected lever
		421204019		W001A	for without lever
		421204063		W001B	for without lever
		421204016		W001A	for hydraulic actuation
		411204195		W001E	for direct electrical control
	3 positions double-acting A and B to tank spool	421204008	1	W002A	for protected lever
		421204121		W002B	for protected lever
		421204007		W002A	for without lever
		421204070		W002B	for without lever
		421204004		W002A	for hydraulic actuation
		3 positions single-acting on A		421204037	1
3 positions single-acting on B	421204042	1	W006A	for protected lever	
4 positions double-acting with float in the 4 th pos.	421204031	1	W012A	for protected lever	
	421204157			for hydraulic actuation	
3	Protected lever	320304001	1	H001 = H002	
		320304002			only for W012 spool
	Control without lever	320304013	1	H004	
		320304012			only for W012 spool
	Protected vertical safety lever	320304008	1	H015 = H016	
	Protected horizontal safety lever	320304005	1	H017 = H018	
	Hydraulic actuation with side ports	320504006	2	H005	
		320504009			only for W012 spool
Hydraulic actuation with upper ports	320504012	2	H025		

Ref.	Description	Order code	Q.ty	Code	Note
	3 position spring centred spool	320704004	1	F001A	
	Detent in A and B	320804001	1	F002A	
	Detent in A	320804002	1	F003A	
	Detent in B	320804003	1	F004A	
	Detent in 4 th position	320804036	1	F005A	only for W012 spool
	Prearrangement dual command	320704025	1	F013A	
	Pneumatic control ON-OFF	321104004	1	F020A=F021A	BSP ports
		321104006		F135A=F136A	NPT ports
	Proportional Pneumatic control	321204003	1	F022A=F023A	BSP ports
		321204005		F126A=F127A	NPT ports
	Electropneumatic control ON-OFF (12 vdc)	321604001	1	F0620	
	Electropneumatic control ON-OFF (24 vdc)	321604002	1	F0630	
	Load limit in A and B	320004037	1	F024A=F025A	
	Load limit in A	320004035	1	F026A=F027A	
4	Load limit in B	320004036	1	F028A=F029A	for protected lever
	Electrical load limit (normally closed contacts)	320004027	1	F0360=F0370	for protected lever
	Electrical load limit (normally open contacts)	320004041	1	F0450=F0460	for without lever
	Electrohydraulic ON-OFF (12 vdc)	321404041	1	F1600	for without lever
	Electrohydraulic ON-OFF (24 vdc)	321404042	1	F1610	for hydraulic actuation
	Electrohydraulic Proportional (12 vdc)	322004001	1	F2600	for direct electrical control
	Electrohydraulic Proportional (24 vdc)	322004002	1	F2610	for protected lever
	Electrohydraulic ON-OFF (12 vdc) with reducing valve	321404043	1	F1500=F1520	BSP ports
	Electrohydraulic ON-OFF (24 vdc) with reducing valve	321404044	1	F1510=F1530	BSP ports
	Electrohydraulic Proportional (12 vdc) with reducing valve	322004003	1	F2500=F2520	BSP ports
	Electrohydraulic Proportional (24 vdc) with reducing valve	322004004	1	F2510=F2530	BSP ports
	Electrohydraulic ON-OFF (12 vdc) with reducing valve	321404054	1	F1500=F1520	UNF ports
	Electrohydraulic ON-OFF (24 vdc) with reducing valve	321404055	1	F1510=F1530	UNF ports
	Electrohydraulic Proportional (12 vdc) with reducing valve	322004014	1	F2500=F2520	UNF ports
	Electrohydraulic Proportional (24 vdc) with reducing valve	322004015	1	F2510=F2530	UNF ports
5	Check valve on the work section	320204008	1	-	only for RP and RT section
	Antishock valve on port A	7478			Setting: 100 bar
		2695		01 PA	Setting: 200 bar
6		2827	1		Setting: 300 bar
	Anticavitation valve on port A	915080401		02 PA	
	Prearrangement for auxiliary valve on port A	430404001		05 PP	
	Antishock valve on port B	7478			Setting: 100 bar
		2695		01 PB	Setting: 200 bar
7		2827	1		Setting: 300 bar
	Anticavitation valve on port B	915080401		02 PB	
	Prearrangement for auxiliary valve on port B	430404001		05 PB	
	Plug kit (G 1/2)	430000019		G04	
8	Plug kit (G 3/4)	430000020	1	G05	
	Plug kit (3/4"-16 UNF)	300001006		U03	
	Plug kit (7/8"-14 UNF)	300004003		U04	



Note

- (*) = for different settings please contact our Sales Dpt.
- (**) = electric dump valve coil can be ordered separately as spare part: (see drawing "A")
Ordering code Coil 12 vdc: 413171235
Ordering code Coil 24 vdc: 413172432
- (#) = Detent in A and B Kick-out is available only with special spool assembly

