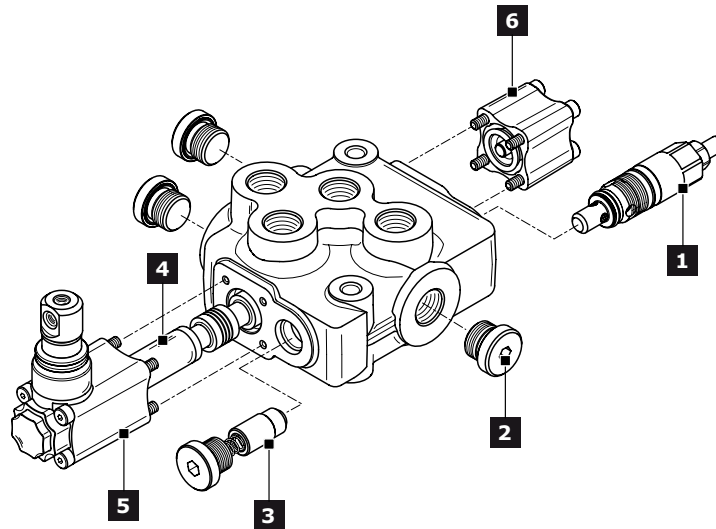




M45 SPARE PARTS LIST



The following order codes of spools, actuation kits and return springs are available only M45 right inlet. The inlet version uses different codes.

Ref.	Description	Order code	Q.ty	Code	Note
1	Direct acting pressure relief valve (*)	71628	1	-	Setting: 100 bar
		71708			Setting: 200 bar
		74143			Setting: 300 bar
	Relief valve plugged	430172001	1		
2	Plug kit (G 3/8)	430000018	1	G03	
	Plug kit (3/4" - 16 UNF)	300001006		U03	
3	Check valve	320272001	1		
4	3 positions double-acting spool	421272002	1	W001A	flow: 45 l/min
		421272011		W001B	flow: 30 l/min
		421272003		W001C	flow: 15 l/min
	Assembly spool	430372001		W001E	for direct electrical control
	3 positions double-acting A and B to tank spool	421272004		W002A	flow: 45 l/min
		421272013		W002B	flow: 30 l/min
		421272032		W002C	flow: 15 l/min
		430372002		W002E	for direct electrical control
	3 positions single-acting on A	421272007		W005A	flow: 45 l/min
	3 positions single-acting on B	421272008		W006A	flow: 45 l/min
4 positions double-acting with float in the 4 th pos.	421272030	W012A	flow: 45 l/min		
5	Protected lever	320372001	1	H001 = H002	only for W012 spool
		320372005			
	Control without lever	320372002		H004	only for W012 spool
		320372004			
	Protected lever with stroke limiter	320373003		H019 = H020	
	Joystick control	320672001		H009 = H012	
320672002		H010 = H011			
Direct electrical control (12 vdc)	320072020	H036	only for spool type "E"		
Direct electrical control (24 vdc)	320072021	H037			
6	3 position spring centred spool	320772001	1	F001A	
	Detent in A and B	320872007		F002A	
	Detent in A	320872008		F003A	
	Detent in B	320872009		F004A	
	Detent in 4 th position	320872015		F005A	only for W012 spool
	Prearrangement dual command	320772006		F013A	
	Pneumatic control ON-OFF	321172001		F020A = F021A	
	Proportional pneumatic control	321272001		F022A = F023A	BSP ports



Ref.	Description	Order code	Q.ty	Code	Note
6	Load limit in A and B	320072001		F024A = F025A	
	Load limit in A	320072003		F026A = F027A	
	Load limit in B	320072005		F028A = F029A	
	Electrical load limit (normally closed contacts)	320072007		F0360 = F0370	
	Electrical load limit (normally open contacts)	320072008		F0450 = F0460	
	Electrohydraulic ON - OFF (12 vdc)	321472003		F1600	
	Electrohydraulic ON - OFF (24 vdc)	321472004		F1610	
	Electrohydraulic Proportional (12 vdc)	322072001	1	F2600	
	Electrohydraulic Proportional (24 vdc)	322072002		F2610	
	Electrohydraulic ON - OFF (12 vdc) with reducing valve	321472007		F1500 = F1520	BSP ports
	Electrohydraulic ON - OFF (24 vdc) with reducing valve	321472008		F1510 = F1530	
	Electrohydraulic Proportional (12 vdc) with reducing valve	322072003		F2500 = F2520	UNF ports
	Electrohydraulic Proportional (24 vdc) with reducing valve	322072004		F2510 = F2530	
	Electrohydraulic Proportional (12 vdc) with reducing valve	322072005		F2500 = F2520	BSP ports
Electrohydraulic Proportional (24 vdc) with reducing valve	322072006		F2510 = F2530		